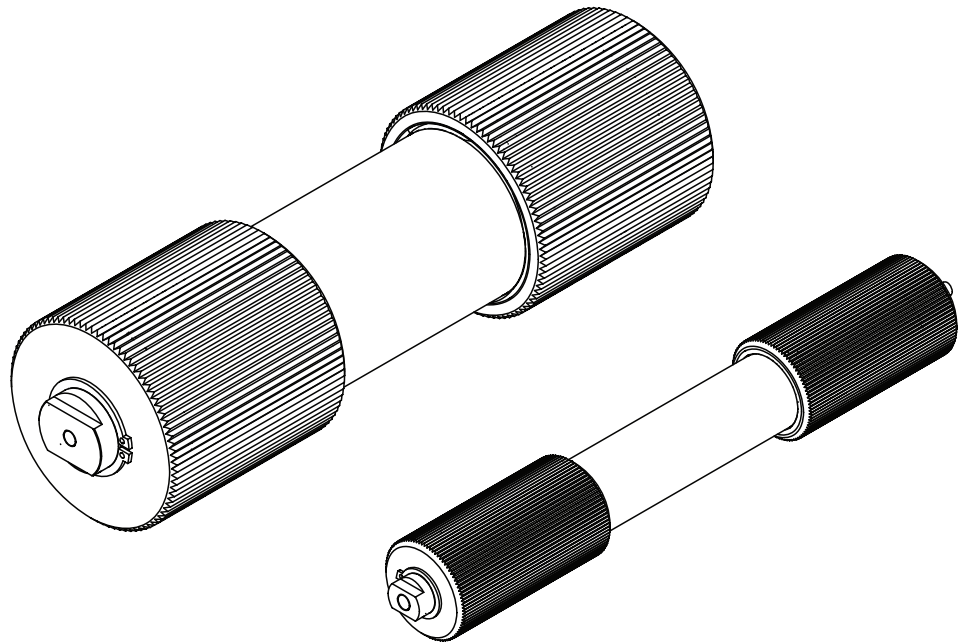




## Sample Loader

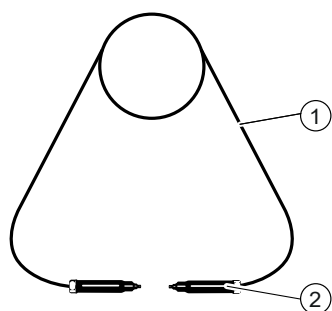
### Technical data sheet

The type of sample loading on a flash cartridge or a prep HPLC column has a big impact on the final purification results. With the Pure and FlashPure sample loading portfolio, the chemist has the choice between several convenient options.



## Pure Sample Loops (Prep HPLC only)

Stainless steel loop to fill in the liquid sample via an injection valve; pressure resistant up to 300 bar (4350 psi)

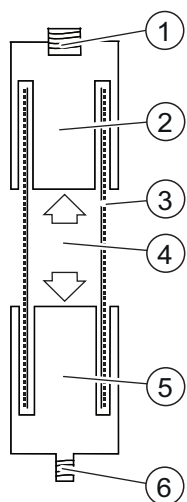


- ① 1/16" OD steel tubing
- ② 10-32 male fitting

|                               | Order no. |
|-------------------------------|-----------|
| Pure sample loop 2 ml, 1 pc.  | 11068476  |
| Pure sample loop 5 ml, 1 pc.  | 11068205  |
| Pure sample loop 10 ml, 1 pc. | 11068206  |
| Pure sample loop 20ml, 1pc.   | 11069768  |
| Pure sample loop 50ml, 1pc.   | 11069799  |

## Pure Solid Loader (Flash only)

Empty PP tube to fill in the solid sample; POM/PEEK screw adapters to adjust the volume in the tube; Aluminum sleeve allows to work at up to 50 bar (725 psi).

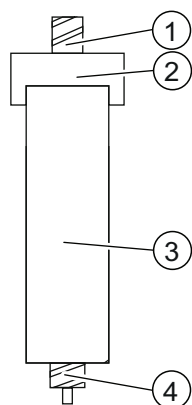


- ① 1/4 - 28 female fitting
- ② Adapter
- ③ Sleeve
- ④ Empty tube with adjustable space for solid sample
- ⑤ Adapter
- ⑥ 1/4 - 28 male fitting

|   | Order no. |
|---|-----------|
| Pure Solid loader S set, incl. adapter set, sleeve, tubes (20 pcs.) and frits (40 pcs.) | 11068975  |
| Pure Solid loader M set, incl. adapter set, sleeve, tubes (20 pcs.) and frits (40 pcs.) | 11070505  |
| Pure Solid loader frits S (40 pcs.)   | 11068969  |
| Pure Solid loader frits M (40 pcs.)   | 11069654  |
| Pure Solid loader tubes S (20 pcs.)   | 11068971  |
| Pure Solid loader tubes M (20 pcs.)   | 11069653  |
| Pure Solid loader insertion rod S (1 pc.)   | 11068973  |
| Pure Solid loader insertion rod M (1 pc.)   | 11070569  |

## FlashPure EcoFlex Empty Solid Loader (Flash only)

Empty PP tube with a screw cap to fill in the solid sample; pressure resistant up to 12 bar (180 psi)



- ① Luer lock inlet
- ② Screw cap
- ③ Empty tube for solid sample
- ④ Luer lock outlet

|   | Order no. |
|---|-----------|
| FlashPure empty solid loader 12 g incl. frits, 20 pcs.  | 148634331 |
| FlashPure empty solid loader 20 g incl. frits, 20 pcs.  | 148634340 |
| FlashPure empty solid loader 40 g incl. frits, 10 pcs.  | 148634332 |
| FlashPure empty solid loader 80 g incl. frits, 5 pcs.   | 140000157 |
| FlashPure empty solid loader 120 g incl. frits, 5 pcs.  | 140000158 |
| FlashPure empty solid loader frits 12 g, 20 pcs.  | 148634551 |
| FlashPure empty solid loader frits 20 g, 20 pcs.  | 148634552 |
| FlashPure empty solid loader frits 40 g, 10 pcs.  | 148634560 |
| FlashPure empty solid loader frits 80 g, 10 pcs.  | 140000176 |
| FlashPure empty solid loader frits 120 g, 10 pcs.   | 140000177 |
| FlashPure empty solid loader insertion rod 12 - 20 g, 1 pc.   | 142129062 |
| FlashPure empty solid loader insertion rod 20 - 40 g, 1 pc.   | 142129061 |
| FlashPure empty solid loader insertion rod 80 - 120 g, 1 pc.  | 140000178 |
| FlashPure empty solid loader adaptor kit  | 145173491 |
| incl. SS adapter male luer lock and male 1/4-28, PEEK adapter female 1/4-28 and 5/16-24, PTFE O-Rings |           |