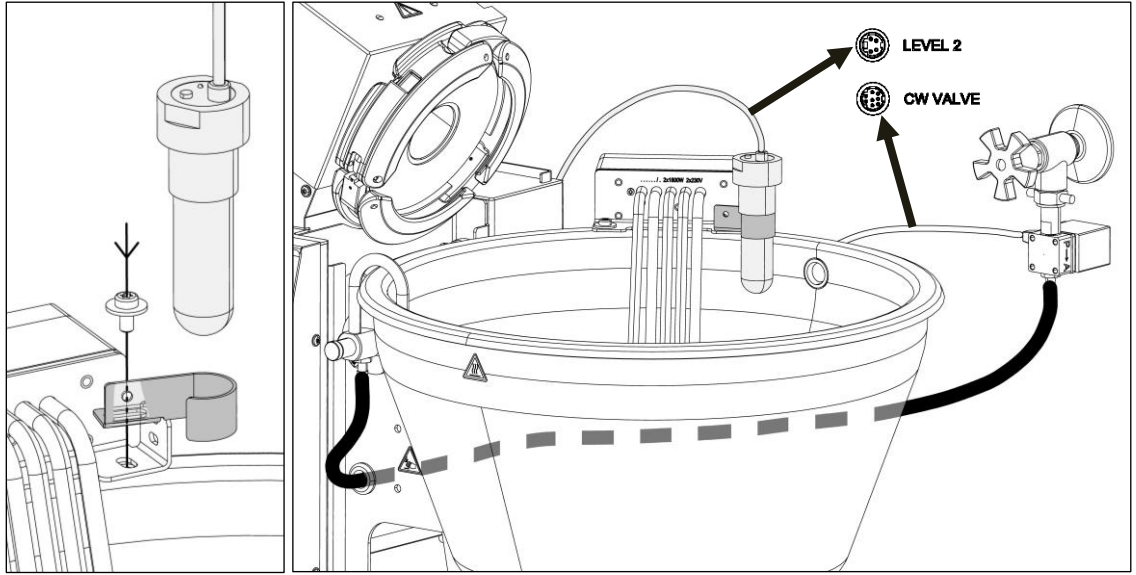


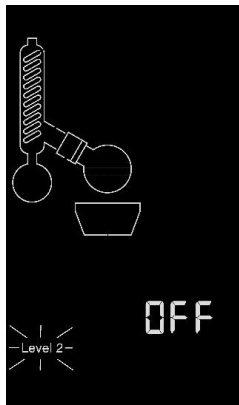
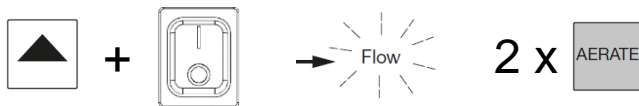


Automatic bath replenishment Installation and operation

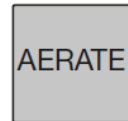
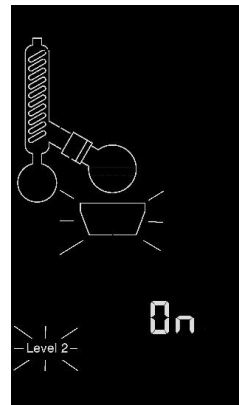
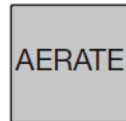
Installation:



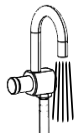
Configure the R-220 Pro:



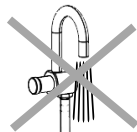
(On by )



Operation:



Bath is filling until level sensor gets immersed

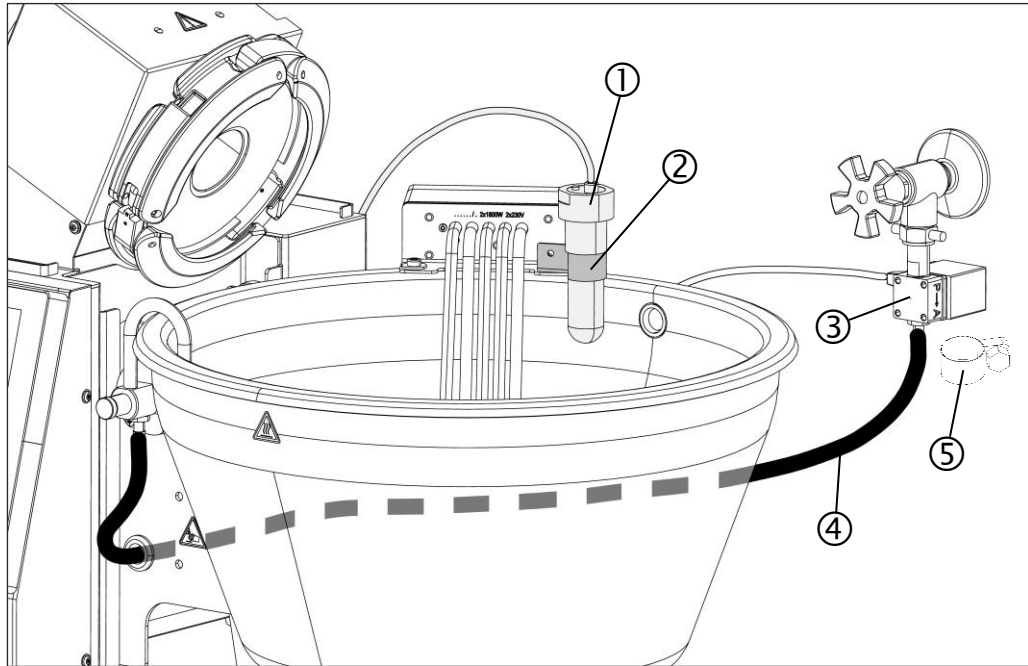


Bath filling is stopped



11594433 en

Spare parts:



Ref.	no.	description
1	11056875	Level sensor
2	11075553	Holder
3	41191	Valve
4	43555	Hose "Nyflex 10 x5"
5	22352	Hose clip

