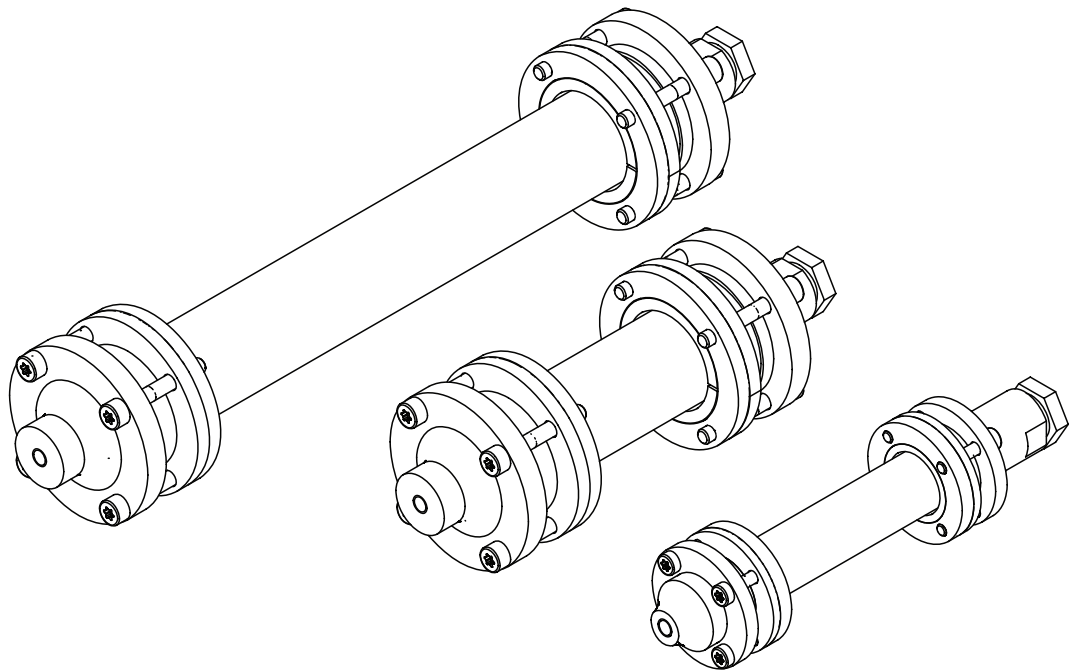




## GlasPure Columns

### Technical data sheet

When purification has to be scaled up, GlasPure offers maximum flexibility in terms of scale and separation requirements. The glass columns are designed for sample amounts over 300 g and pressure up to 50 bar (725 psi).



## GlasPure columns

Empty glass columns, which can be filled by the user; the column packaging can be discarded at any time and the column repacked; all GlasPure columns are delivered as single pieces.

Inner Diameter (mm)	Column length	Column length	Column length	Column length	Pressure range (bar / psi)
	100 mm	230 mm	460 mm	920 mm	
ID 15	044030	044031	044032	044033	0 - 50 / 725
ID 26	044035	044036	044037	044038	0 - 40 / 580
ID 36	-	044040	044041	044042	0 - 30 / 435
ID 49	-	044044	044045	044046	0 - 20 / 290
ID 70	-	044048	044049	044050	0 - 15 / 218
ID 100	-	044052	044053	044054	0 - 10 / 145

### Average volume of the columns in mL

Inner Diameter (mm)	Column length	Column length	Column length	Column length
	100 mm	230 mm	460 mm	920 mm
ID 15	18	42	84	168
ID 26	57	130	260	520
ID 36	-	235	470	940
ID 49	-	460	920	1840
ID 70	-	940	1880	3760
ID 100	-	1875	3750	7500

## Accessories

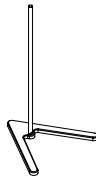
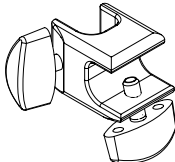
### Pre columns

	Order no.
Pre column small for GlasPure with ID 15, 26, 36 and 49 mm (1 pc.)	044026
Pre column large for GlasPure with ID 70 and 100 mm (1 pc.)	044028

### Filling kits

	Order no.
Dry filling set for GlasPure ID 15-46 mm	044058
Adapter for dry filling set to fill GlasPure ID 70-100 mm	044059
Slurry filling set for GlasPure ID 15-26 mm	044057
Slurry filling set for GlasPure ID 36-49 mm	044060

## Holders

	Order no.	Image
V-Stand with rod, 950 mm	11069158	
Cross sleeve (1 pc.)	027344	

## Pivoting clamps

	Order no.
Pivoting clamp for GlasPure ID 15 mm (1 pc.)	044857
Pivoting clamp for GlasPure ID 26 mm (1 pc.)	044858
Pivoting clamp for GlasPure ID 36 mm (1 pc.)	044859
Pivoting clamp for GlasPure ID 49 mm (1 pc.)	044860
Pivoting clamp for GlasPure ID 70 mm (1 pc.)	044861
Pivoting clamp for GlasPure ID 100 mm (1 pc.)	044862