

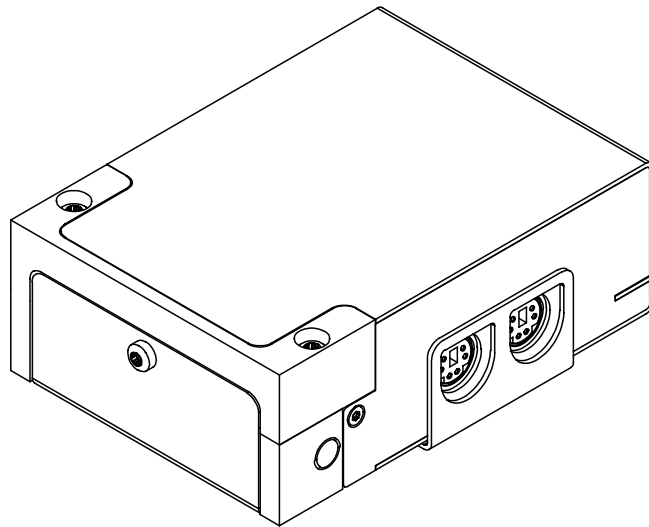


Pure UV Detector C-107

Technical data sheet

With the simultaneous monitoring at four different wavelengths the Pure UV Detector C-107 (Pure UV Detector) allows you to detect and isolate your compounds.

The Pure UV Detector works in conjunction with an appropriate Pure system able to control it (e.g. Pure Chromatography C-900).



Scope of delivery

All configurations are supplied ready to use.



NOTE

The scope of delivery depends on the configuration of the purchase order.

Accessories are delivered as per the purchase order, order confirmation, and delivery note.

Component	Pure UV Detector
Pure UV Detector	1
Communication cable, BUCHI COM, 0.9 m, 6p	1
UV 4WL kit (male union 1/4"-28, back pressure regulator 2 bar)	1
Flow cell 0.3 mm	1
Operation manual	1

Order code

Choose the configuration according to your needs:

1 1 C 1 0 7 0 0 Pure UV Detector

1 1 C 9 0 0 1 0 Pure Essential Chromatography System
(Pure Chromatography C-900 + Pure UV Detector +
Pure Fraction Collector)

1 1 C 9 0 0 3 0 Pure Chromatography C-900
with Pure UV Detector

Technical data

Pure UV Detector

Specification	Value
Dimensions (W x D x H)	100 x 70 x 35 mm
Weight	0.5 kg
Power consumption	0.3 W
Supply voltage	12 – 36 VDC
Max. operating pressure	3 bar
Technology	LED, 4 fixed wavelengths (No. of needed wavelengths freely selectable)
Wavelength UV1	254 nm
Wavelength UV2	275 nm
Wavelength UV3	325 nm
Wavelength UV4	365 nm
Adjustment accuracy	± 5 nm
Flow cell material	UV grade fused Silica
Hose connections	2 UNF 1/4"-28
Interfaces	2 BUCHI standard communication ports (COM)

Ambient conditions

For indoor use only.

Specification	Value
Max. altitude above sea level	2,000 m
Ambient and storage temperature	5 – 40 °C
Max. relative humidity	80% for temperatures up to 31 °C decreasing linearly to 50% relative humidity at 40 °C

Spare parts and accessories

Use only genuine BUCHI consumables and spare parts in order to ensure correct, safe and reliable operation of the system.



NOTE

Any modifications of spare parts or assemblies are only allowed with the prior written permission of BUCHI.

Spare parts

	Order no.	Image
Back Pressure Regulator (BPR), 2 bar	044337	
Communication cable. BUCHI COM, 0.9 m, 6p Enables connection between Rotavapor® R-300 / R-220 Pro, Interface I-300 / I-300 Pro, Vacuum Pump V-300 / V-600, Recirculating Chiller F-3xx, VacuBox and LegacyBox. Enables connection between Pure® Chromatography C-900, Fraction Collector, UV Detector.	11070540	
Holder for Pure UV Detector	11073971	
Flow cell 0.3 mm Essential line	11073975	

Maintenance kits

	Order no.
Pure UV Detector Extended Maintenance Kit Contains all parts required for an extended maintenance, recommended after 3 years of instrument use	11075561