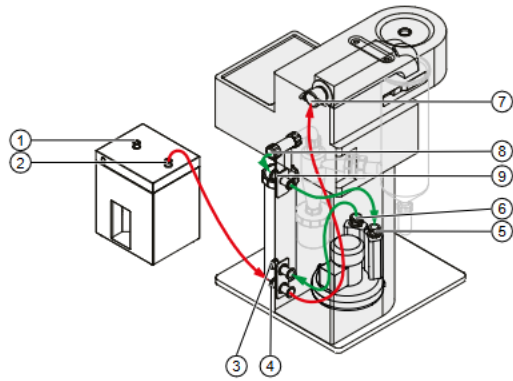


Configurations Spray Dryer S-300

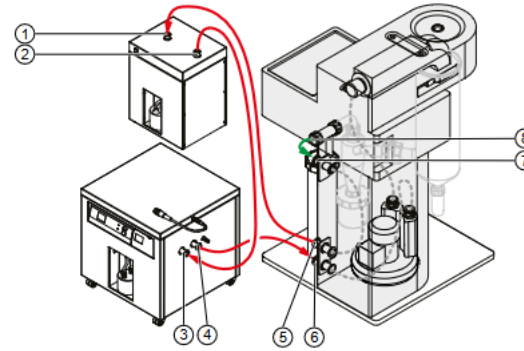


Dehumidifier S-396

- 1 Inlet
- 2 Outlet

Mini Spray Dryer S-300

- 3 Outlet
- 4 Inlet
- 5 Aspirator right
- 6 Aspirator left
- 7 Heater
- 8 Filter pressure OUT
- 9 Filter pressure IN



Dehumidifier S-396

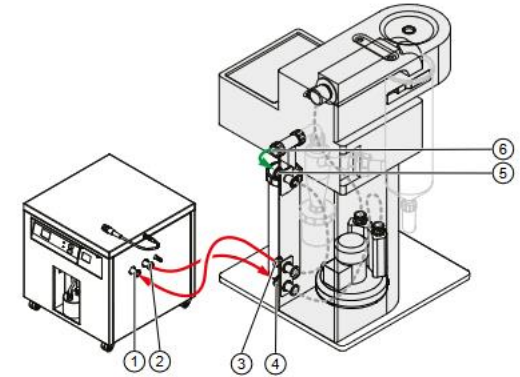
- 1 Inlet
- 2 Outlet

Inert Loop S-395

- 3 Process gas IN
- 4 Process gas OUT

Mini Spray Dryer S-300

- 5 Outlet
- 6 Inlet
- 7 Filter pressure IN
- 8 Filter pressure OUT



Inert Loop S-395

- 1 Process gas IN
- 2 Process gas OUT

Mini Spray Dryer S-300

- 3 Outlet
- 4 Inlet
- 5 Filter pressure IN
- 6 Filter pressure OUT

100%

80%

10%

0%

0%

20%

90%

100%

Amount of water

Amount of organic solvent